

REMA X-Line Hand chain hoist



The REMA X-Line hand chain hoist is a robust and ergonomic hoist for intensive use.

Properties

- Low operating force at full load.
- Increased operational safety due to double pawl system.
- Brake is provided with asbestos-free friction discs.
- Load chain wheel is made of wear-resistant alloy steel.
- Safety latches on top and bottomhook.
- In case of overload, the hooks will gradually bend and do not abruptly break off.
- Galvanized load chain (Grade 8).
- Galvanized hand chain.
- Steel housing with orange colored powder coating.

Standard delivery

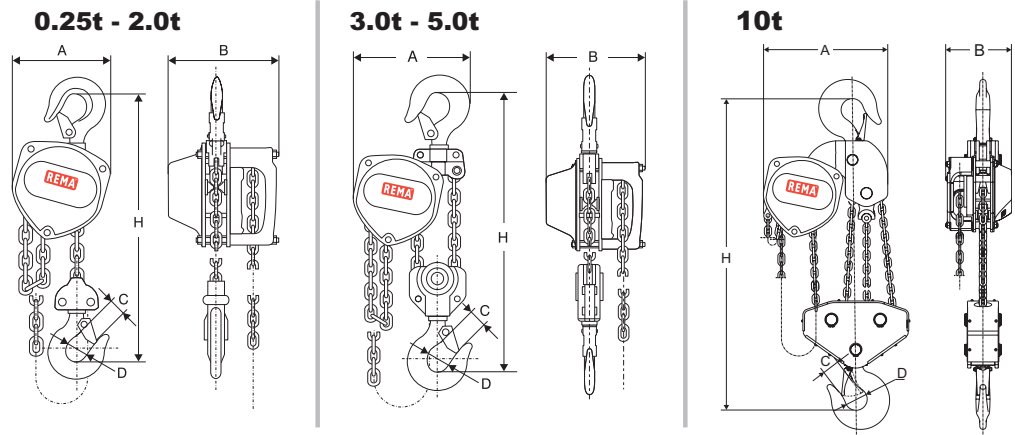
- 3 meters lifting height (max. between top and bottom hook).
- 2.5 meters operating height.

Option

- Available in any other hoisting and operational heights.

Norm:

- EN12100-1/2, EN13157, EN818-7



Type	WLL (kg)	Hand force max. (kg)	Load chain (mm)	Number of falls	Operating chain (mm)	Construction height (mm)	Weight (kg)	ProductId
X-CH025/250KG	250	23.5	4,0 x 12,0	1	5,0 x 23,7	260	6,0	0170000
X-CH05/500KG	500	24,9	5,0 x 15,0	1	5,0 x 23,7	280	9,0	0170001
X-CH10/1000KG	1000	28,4	6,3 x 19,0	1	5,0 x 23,7	330	12,0	0170003
X-CH15/1500KG	1500	30,8	7,1 x 21,0	1	5,0 x 23,7	360	16,0	0170005
X-CH20/2000KG	2000	34,3	8,0 x 24,0	1	5,0 x 23,7	385	20,0	0170007
X-CH30/3000KG	3000	34,3	7,1 x 21,0	2	5,0 x 23,7	510	24,0	0170009
X-CH50/5000KG	5000	37,2	9,0 x 27,0	2	5,0 x 23,7	615	37,0	0170011
X-CH100/10000KG	10000	40,0	9,0 x 27,0	4	5,0 x 23,7	820	104,6	0170015

Type	A (mm)	B (mm)	C (mm)	D (mm)	H (mm)
X-CH025/250KG	108	106	20	30	260
X-CH05/500KG	130	128	22	34	280
X-CH10/1000KG	150	142	26	39	330
X-CH15/1500KG	170	158	29	42	360
X-CH20/2000KG	185	175	35	49	385
X-CH30/3000KG	220	158	37	50	510
X-CH50/5000KG	255	183	43	60	615
X-CH100/10000KG	360	183	47	65	820