

## GN HK5 ROV Shank Hook

---

### Product information



Hooks are used in towing, mooring and lifting systems as a connection between slings, rope, wire rope and chain.

- ROV type hooks are modified for easy ROV handling during hook-up or release.
- ROV shank hooks HK5 are specially designed for subsea use by ROV's ... [Read more](#)

---

**Material:** Alloy steel quenched and tempered

**Marking:** According to standard

**Temperature range:** -40°C up to 200°C

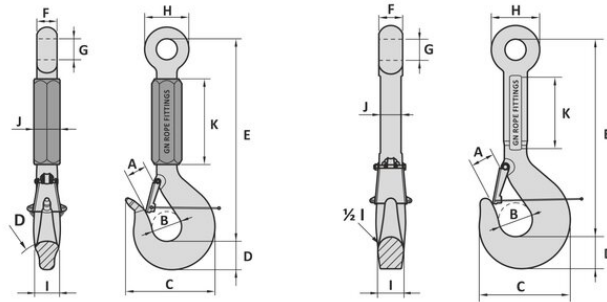
**Finish:** Painted

**Standard:** EN 10204

**Safety factor:** 4:1

## GN HK5 ROV Shank Hook

### Blueprint



### Technical data

Part code	WLL ton	A mm	B mm	C mm	D, mm	E mm	F mm	G, mm	H, mm	lmm mm	J mm	K mm	Weight kg
420504001240	42.5	69	100	316	95	780	70	70	150	75	85	330	47
420505001240	55	81	112	343	106	808	80	78	162	85	100	350	62
420506301240	63	91	125	376	118	950	85	86	180	95	110	360	92
420508001240	85	104	140	418	132	893	100	86	200	106	120	290	111
420510001240	100	140	175	472	150	831	110	100	228	120	120	240	178
420512501240	125	145	180	509	170	890	124	110	260	140	140	240	249
420516001240	160	157	190	614	190	953	138	135	300	160	150	250	362
420520001240	200	176	224	688	230	998	148	135	350	175	150	250	496
420525001240	250	194	250	780	256	1,063	175	145	370	200	160	250	671
420530001240	300	210	280	755	255	1,153	190	155	360	220	170	300	790
420540001240	400	234	315	855	305	1,253	210	185	420	240	190	300	1,064