

Thimble Heavy Duty Stub-end K2-B GN

Product information



Suitable for wire rope.

Standard certification : Certificate of Conformity

... [Read more](#)

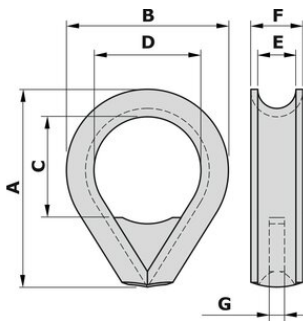
Material: Mild steel.

Temperature range: -20°C up to +200°C

Finish: Galvanized.

Thimble Heavy Duty Stub-end K2-B GN

Blueprint



Technical data

| Part code | Rope Ø range mm | A mm | B mm | C mm | D mm | E mm | F mm | G mm | Weight kg/100pc |
|--------------|-----------------|-------|------|------|------|------|------|------|-----------------|
| 123101500330 | 14-15 | 101.6 | 75 | 50 | 50 | 17 | 22 | 6 | 40 |
| 123101700330 | 16-17 | 114.3 | 85 | 50 | 53 | 19 | 25 | 6 | 50 |
| 123101900330 | 18-19 | 127 | 100 | 60 | 60 | 21 | 29 | 8 | 80 |
| 123102100330 | 20-21 | 139.7 | 110 | 60 | 65 | 23 | 33 | 8 | 90 |
| 123102300330 | 22-23 | 152.4 | 115 | 70 | 70 | 25 | 34 | 8 | 100 |
| 123102700330 | 24-27 | 177.8 | 135 | 75 | 80 | 30 | 38 | 10 | 170 |
| 123103000330 | 28-30 | 203.2 | 155 | 80 | 100 | 33 | 44 | 10 | 250 |
| 123103400330 | 31-34 | 228.6 | 175 | 110 | 115 | 38 | 49 | 10 | 400 |
| 123103700330 | 35-37 | 254 | 190 | 120 | 120 | 41 | 52 | 15 | 450 |
| 123104200330 | 38-42 | 279.4 | 210 | 120 | 130 | 46 | 60 | 15 | 700 |
| 123104700330 | 43-47 | 304.8 | 245 | 140 | 145 | 52 | 65 | 15 | 830 |
| 123105400330 | 48-54 | 355.6 | 260 | 155 | 155 | 60 | 72 | 20 | 1,250 |
| 123106300330 | 55-63 | 431.8 | 310 | 200 | 190 | 70 | 84 | 20 | 1,800 |
| 123107300330 | 64-73 | 482.6 | 350 | 235 | 230 | 81 | 119 | 20 | 3,050 |
| 123108300330 | 74-83 | 558.8 | 395 | 240 | 255 | 92 | 130 | 20 | 4,050 |
| 123109500330 | 84-95 | 609.6 | 430 | 275 | 280 | 105 | 145 | 25 | 4,950 |
| 123110900330 | 96-109 | 660.4 | 450 | 295 | 285 | 120 | 155 | 30 | 5,400 |