

Temporary Anchors Points Rollbeam

Product information



Rollbeam is a transportable temporary anchorage point on rollers for I, H or T-shaped bars (50 to 220 mm).

The rollbeam is designed solely for anchoring a personal fall protection system.

Design

- Rollers mounted on ball bearings.
- Anti-derailment device and safety nuts.
- Strength greater than that required by the standard.
- Rapid installation using a removable handle.

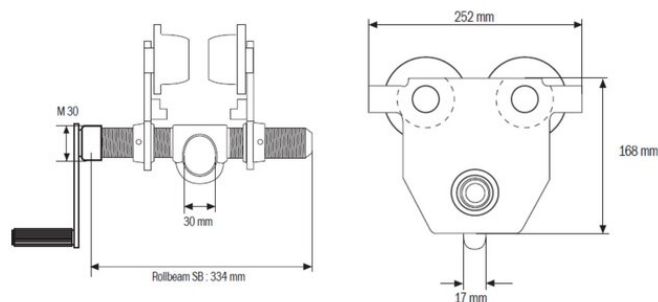
[... Read more](#)

Marking: According to standard

Standard: EN 795-B

Temporary Anchors Points Rollbeam

Blueprint



Technical data

Max load kg	Weight kg
150	11.7