

Solid Thimble S-6134

Product information



Solid thimble for mounting on steel wire ropes. Designed for heavy-duty, permanent connections in rigging and lifting applications.

Certification on request: 2.1

... [Read more](#)

Material: Cast mild steel, (GTW 40)

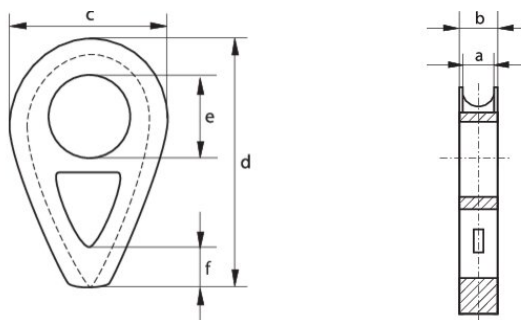
Marking: According to standard, CE-marked

Finish: Self coloured

Standard: DIN 3091

Solid Thimble S-6134

Blueprint



Technical data

Part code	Rope Ø range mm	a mm	b mm	c mm	d mm	e mm	f mm	Weight kg/100pc
123100800310	8	9	15	40	56	14	-	1.3
123101000310	10	11	17.5	50	70	18	-	1.7
123101200310	12	13	20	60	84	21	-	2
123101400310	14	16	23.5	70	98	25	-	2.5
123101600310	16	18	26	80	130	28	16	3.2
123101800310	18	20	28.5	90	145	31	18	4.6
123102000310	20	22	31	100	161	35	20	6.6
123102200310	22	24	33.5	110	177	38	22	9
123102400310	24	26	36	120	193	41	24	14
123102600310	26	29	39.5	130	209	44	26	21
123102800310	28	31	42	140	224	47	28	39
123103200310	32	35	47	160	256	53	32	73
123103600310	36	40	53	180	288	59	36	83
123104000310	40	44	58	200	320	65	40	113
123104400310	44	48	63	220	352	70	44	148
123104800310	48	53	69	240	384	76	48	193
123105200310	52	57	74	260	416	81	52	254
123105600310	56	62	80	280	448	86	56	355
123106400310	64	70	90	320	512	95	64	387
123107200310	72	79	101	360	576	140	72	437
123108000310	80	88	112	400	640	-	80	870